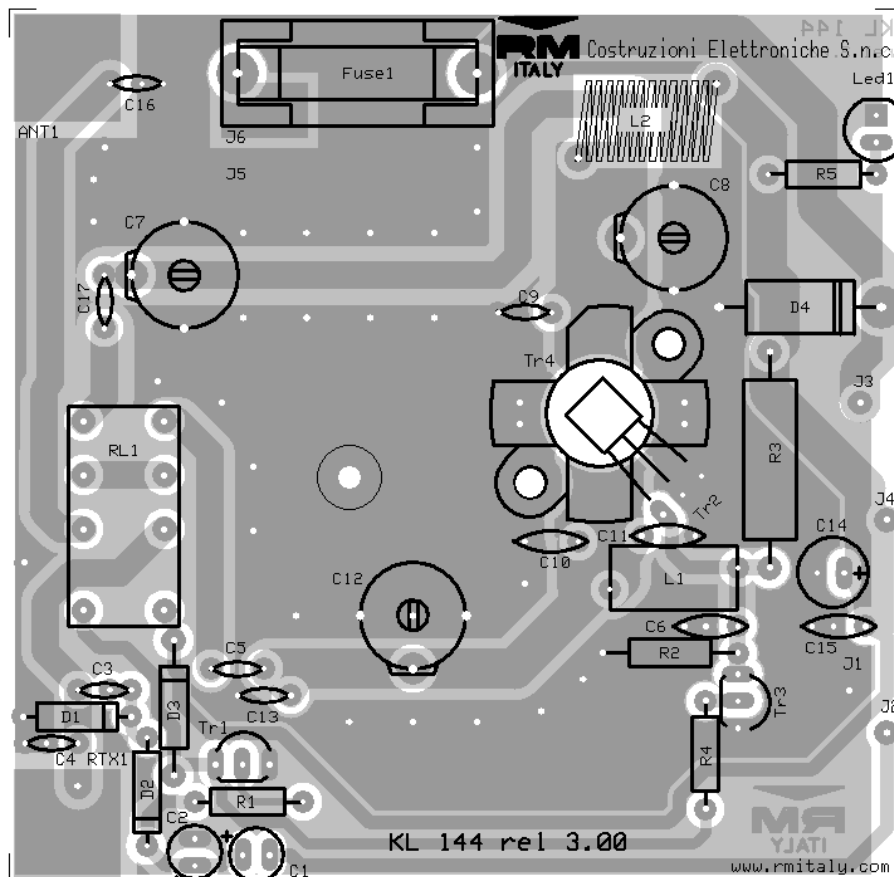
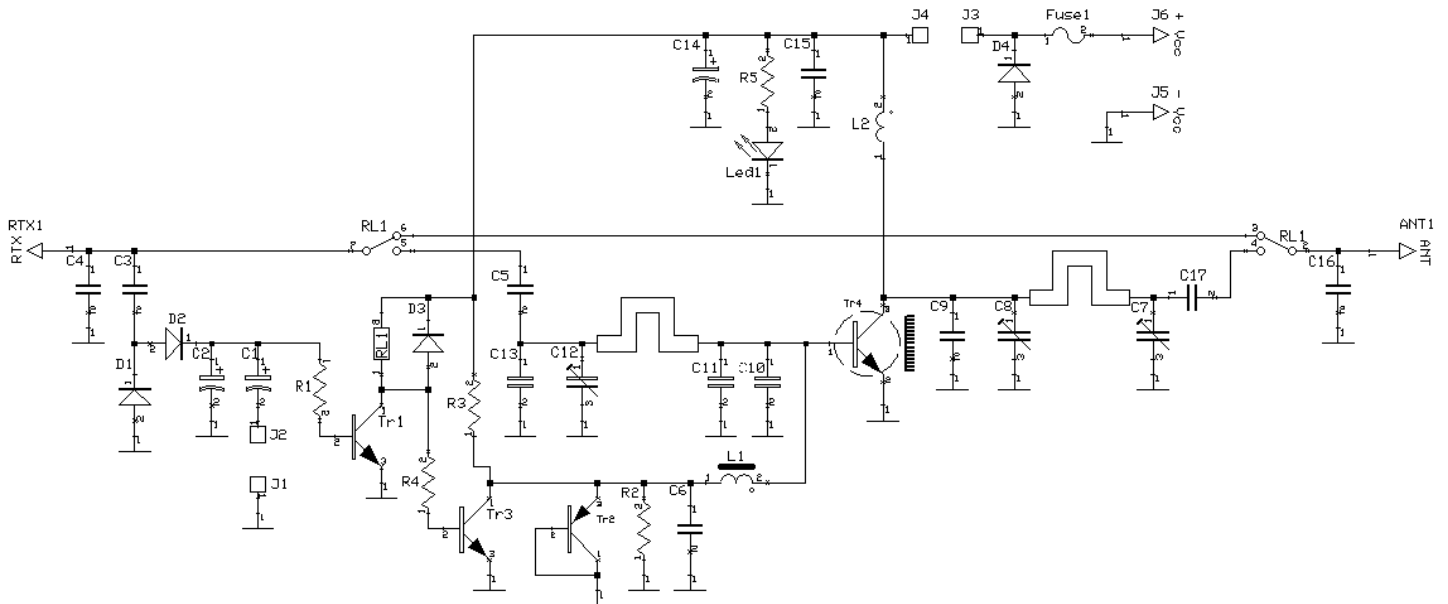


Mod. 144 linear amplifier

Schematic diagram

Version 3.00



List of components

C ₁	= 22 μ F	16 V	
C ₂	= 2,2 μ F	16 V	
C ₃	= 2,2 pF	50 V	NP0
C ₄	= 3,3 pF	50 V	NP0
C ₅	= 68 pF	50 V	NP0
C ₆	= 10 nF	50 V	
C ₇	= Trimmer	10 - 80 pF	
C ₈	= Trimmer	10 - 80 pF	
C ₉	= 68 pF	500 V	NP0
C ₁₀	= 82 pF	50 V	NP0
C ₁₁	= 82 pF	50 V	NP0
C ₁₂	= Trimmer	10 - 80 pF	
C ₁₃	= 47 pF	50 V	NP0
C ₁₄	= 47 μ F	25 V	
C ₁₅	= 10 nF	50 V	
C ₁₆	= 3,3 pF	50 V	NP0
C ₁₇	= 22 pF	500 V	NP0
R ₁	= 2,2 K Ω	$\frac{1}{4}$ W	
R ₂	= 10 Ω	$\frac{1}{2}$ W	
R ₃	= 120 Ω	2W	
R ₄	= 12 K Ω	$\frac{1}{4}$ W	
R ₅	= 1,0 K Ω	$\frac{1}{4}$ W	
D ₁ = D ₂	= 1N4148		
D ₃	= 1N4004		
D ₄	= 1N5400		
Led ₁	= Led rosso		
Tr ₁ = Tr ₃	= BC 547		
Tr ₂	= BC 557		
Tr ₄	= SD1446		
L ₁	= VK 200		
L ₂	= ANRA 455 12 turns ϕ 6 mm wire ϕ 1 mm		
RI ₁	= Relè 12 V 3022.9.012		
Fuse	= 8 A		
S ₁	= Switch (SSB - FM)		
S ₂	= Switch (ON - OFF)		